

CODE NUMBER

3250386

DESCRIPTION

Polished Chrome Finish, Fixture Connection , Single Flush, G2 Exposed Sensor Hardwired Water Closet Bedpan Washer Flushometer.

DETAILS

- Finish: Polished Chrome (CP)
- Valve: Diaphragm
- Valve Body Material: Semi-red Brass
- Fixture Type: Water Closet
- Deoseptic Unit: Yes

FEATURES

- PERMEX® Synthetic Rubber Diaphragm with dual filtered bypass
- Flex Tube Diaphragm designed for improved life and reduced maintenance
- ADA Compliant Sloan ECOS® Electronic Dual Flush Battery Powered Infrared Sensor for automatic “No Hands” operation
- Infrared Sensor with Multiple-focused, Lobular Sensing Fields for high and low target detection
- Latching Solenoid Operator
- Engineered Metal Cover with replaceable Lens Window
- User friendly three (3) second Flush Delay
- Courtesy Flush® Override Button
- Four (4) Size AA Batteries factory installed
- “Low Battery” Flashing LED
- Infrared Sensor Range Adjustment Screw
- Initial Set-up Range Indicator Light (first 10 minutes)
- Chrome Plated Metal Handle Cap
- 1” I.P.S. Screwdriver Bak-Chek® Angle Stop
- Free Spinning, Vandal Resistant Stop Cap and Adjustable Tailpiece
- High Back Pressure Vacuum Breaker Flush Connection with One-piece Bottom Hex Coupling Nut
- 1-1/2” Offset Flush Tube
- Spud Coupling and Flange for 1 1/2” Top Spud
- Sweat Solder Adapter w/Cover Tube and Cast Wall Flange w/Set Screw
- High Copper, Low Zinc Brass Castings for Dezincification Resistance
- Fixed Metering Bypass and No External Volume Adjustment to Ensure Water Conservation
- Flush Accuracy Controlled by CID Technology
- Diaphragm, Stop Seat and Vacuum Breaker molded from PERMEX® Rubber Compound for Chloramine resistance

Bedpan Washer Diverter Assembly with the following features:

- Solid One-piece Body Construction
- Solid Brass Spray Arm
- Counter Balanced Pivot Assembly
- Diverter Valve Wall Support
- Offset Flush Connection for clearance around Grab Bar installations
- Valve Body, Tailpiece and Control Stop shall be in conformance with



COMPLIANCES & CERTIFICATIONS



(ADA Compliant, BAA Compliant, UL Certified, UPC Certified)

ELECTRICAL SPECIFICATIONS

- Transformers:
 - EL-386 (Up to 1 flushometer)
 - EL-451 (up to 6 flushometers)

NOTES

All information contained within this document subject to change without notice.

Looking for other variations of the G2 BPW 8155-3.5 HW product? [View the general spec sheet with all options.](#)

[Find a compatible urinal](#) for this flushometer.

[Find a compatible water closet](#) for this flushometer.

Sloan 10500 Seymour Ave, Franklin Park, IL 60131

Phone: 800.982.5839 • Fax: 800.447.8329 • sloan.com

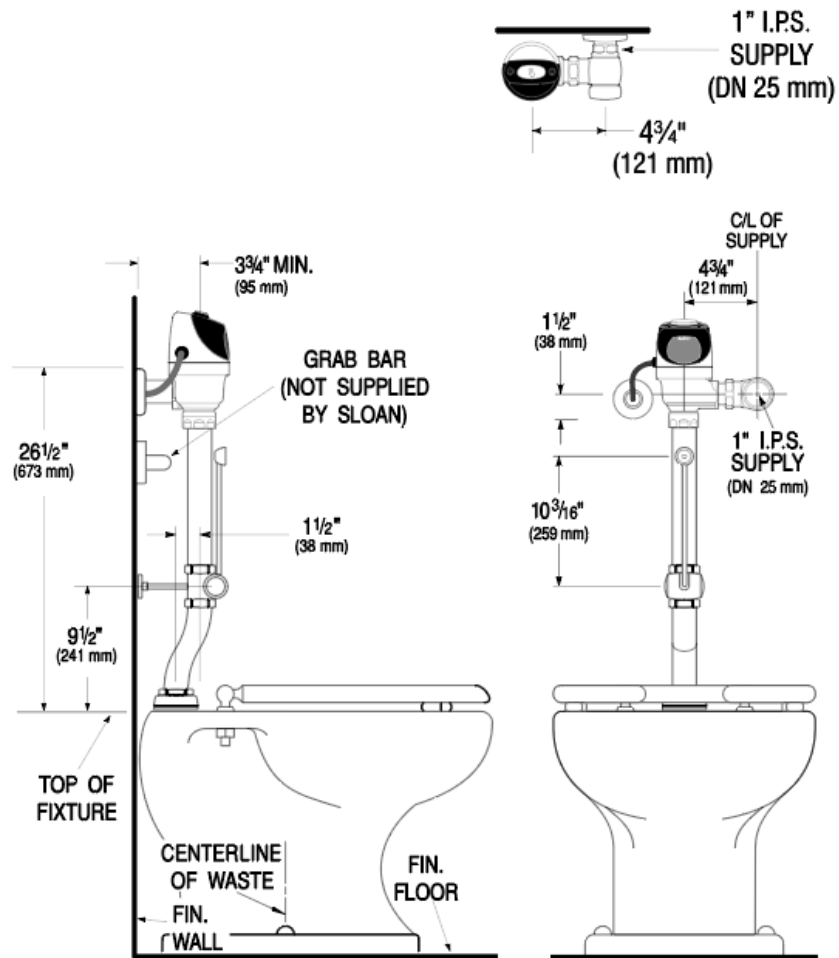
ASTM Alloy

- Classification for Semi-Red Brass. Valve shall be in compliance with the applicable sections
- of ASSE 1037. Installation conforms to ADA requirements.

Sloan 10500 Seymour Ave, Franklin Park, IL 60131

Phone: 800.982.5839 • Fax: 800.447.8329 • sloan.com

ROUGH-IN



Sloan 10500 Seymour Ave, Franklin Park, IL 60131
Phone: 800.982.5839 • Fax: 800.447.8329 • sloan.com